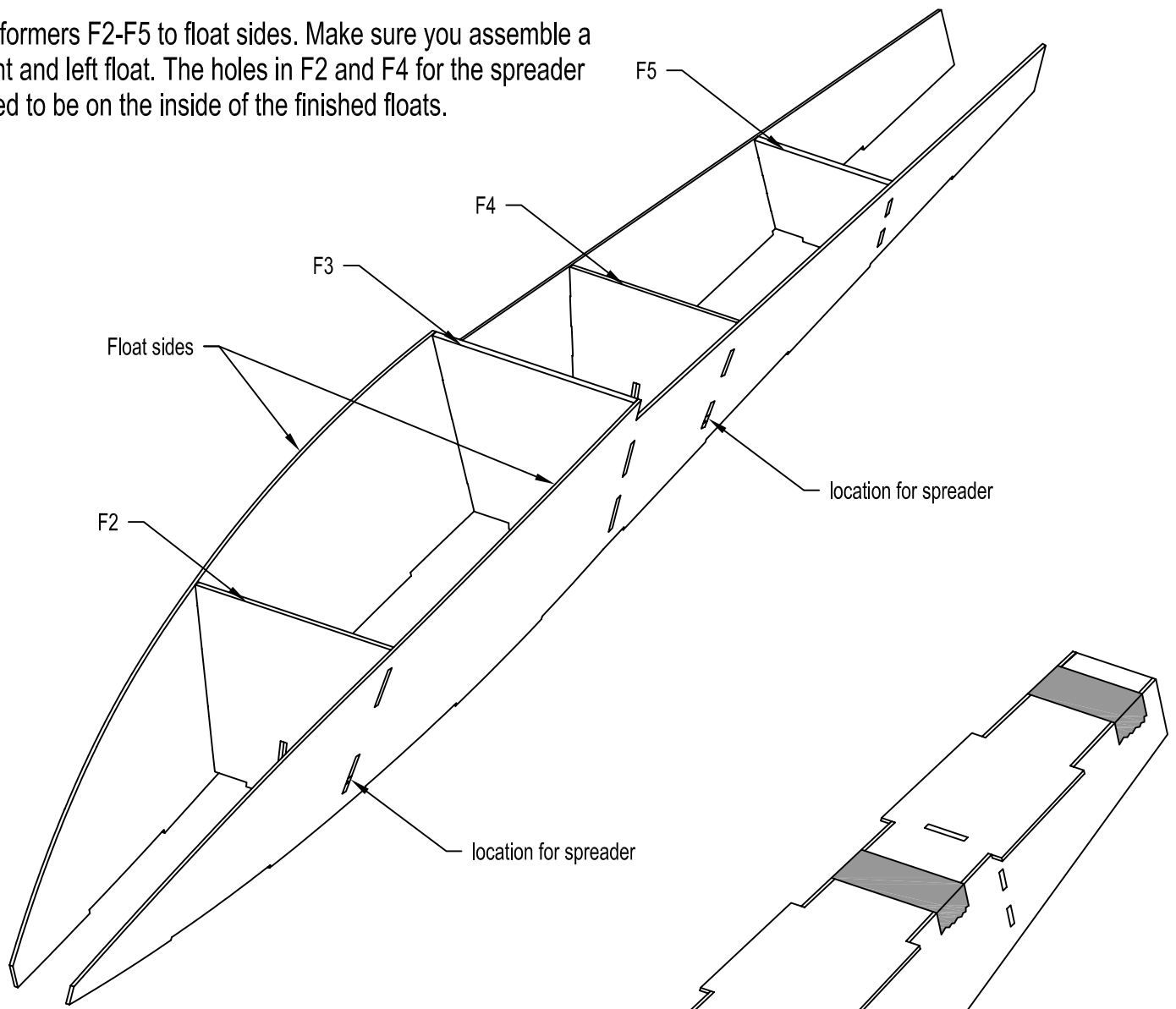
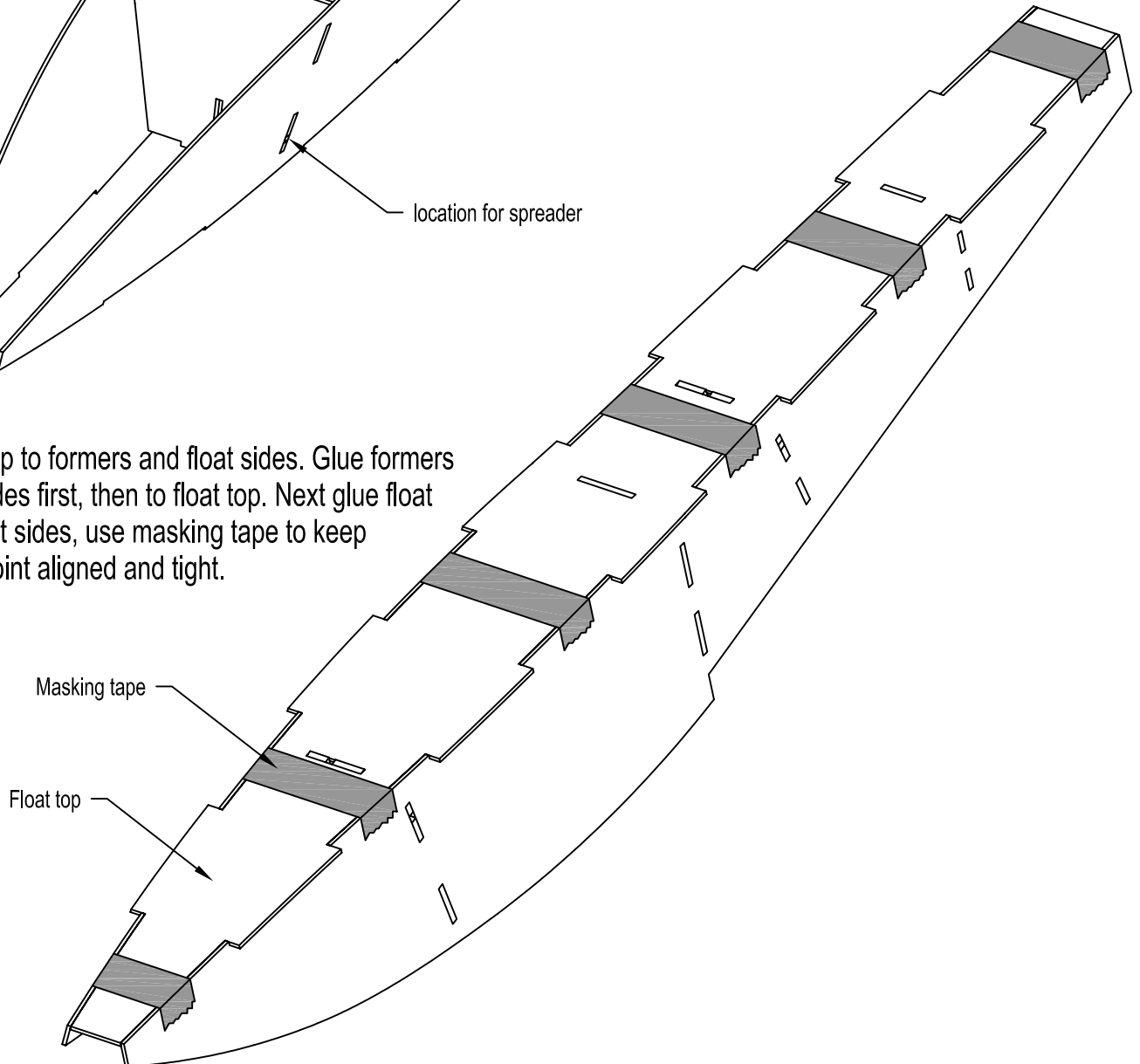


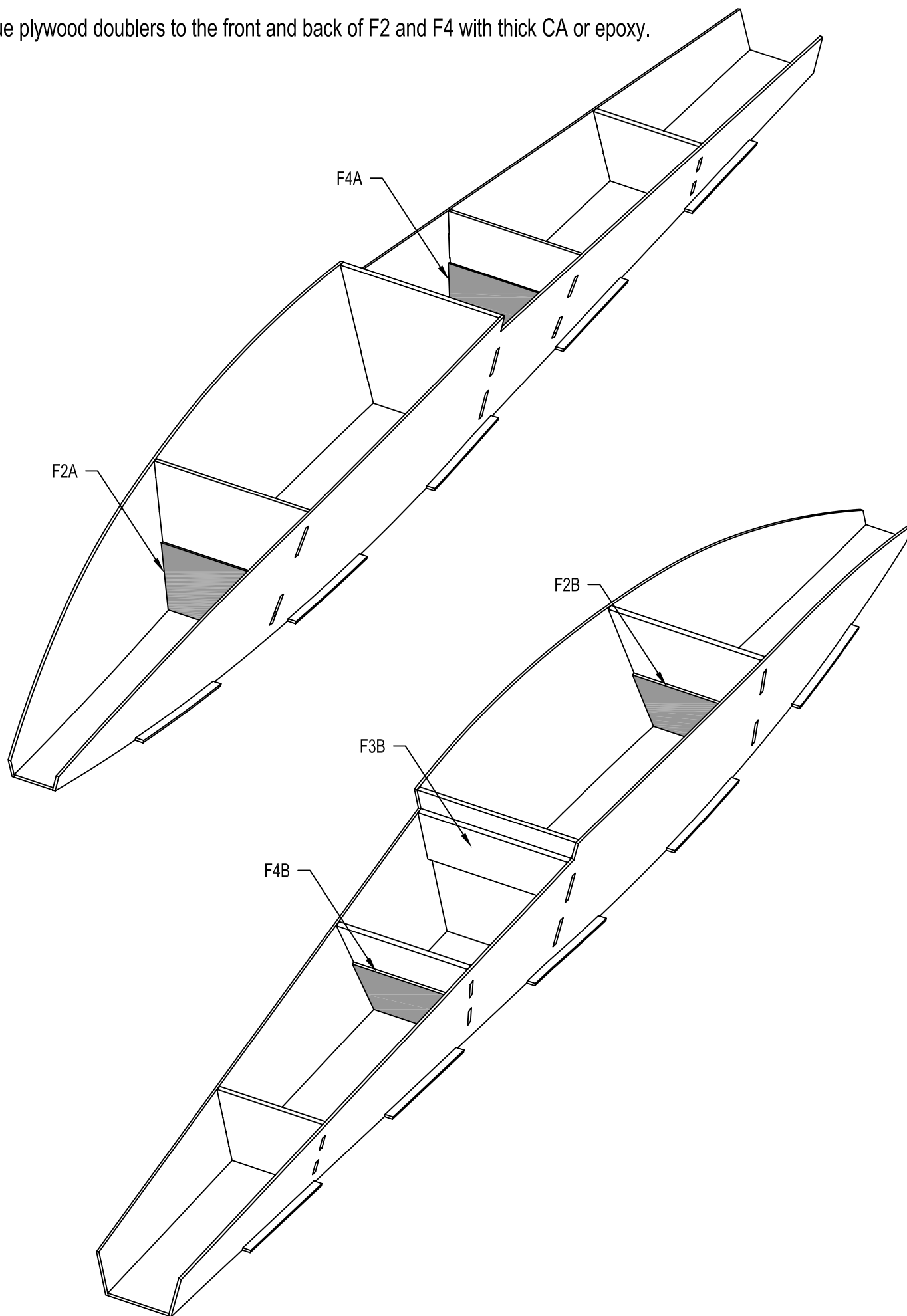
1. Fit formers F2-F5 to float sides. Make sure you assemble a right and left float. The holes in F2 and F4 for the spreader need to be on the inside of the finished floats.



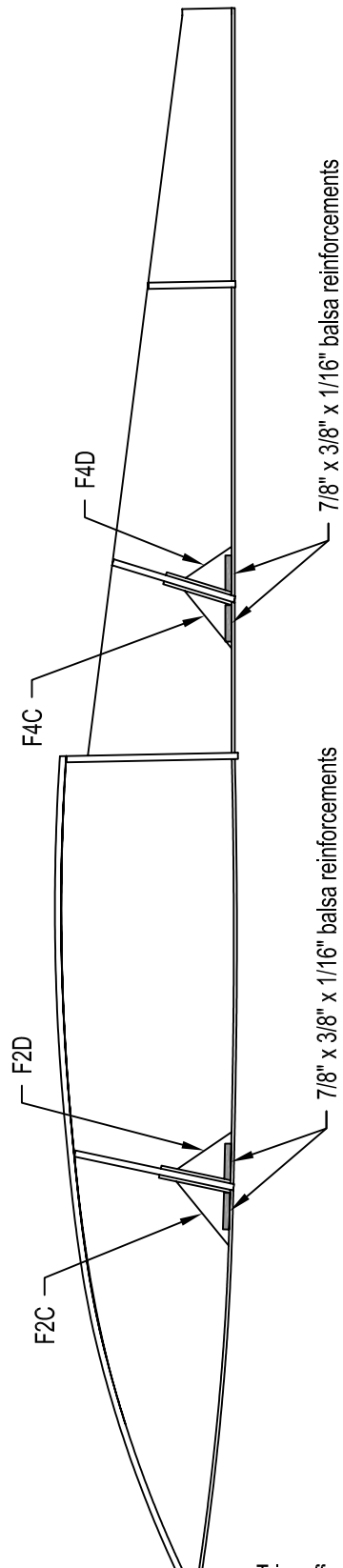
2. Fit float top to formers and float sides. Glue formers to float sides first, then to float top. Next glue float top to float sides, use masking tape to keep side/top joint aligned and tight.



3. Glue plywood doublers to the front and back of F2 and F4 with thick CA or epoxy.

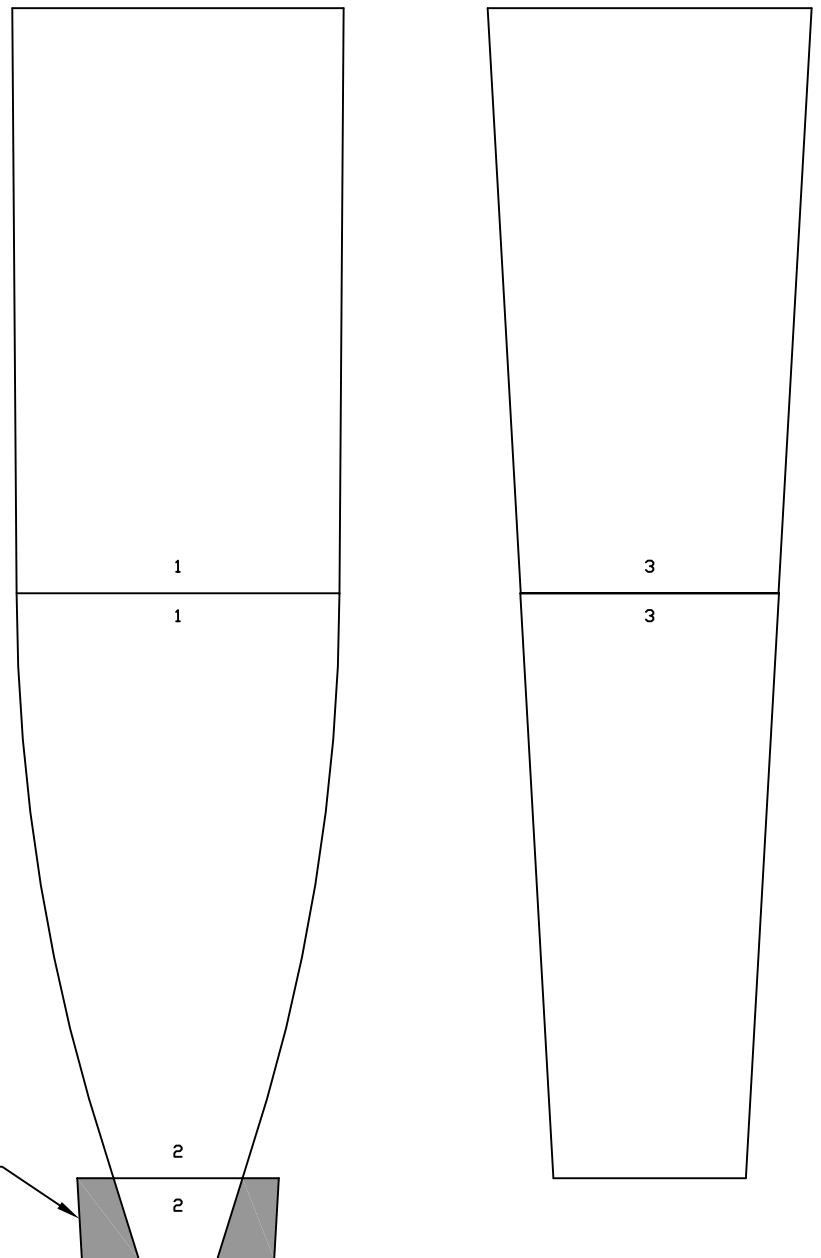


4. Glue reinforcement gussets F2C / F2D and F4C / F4D to the inside of the float sides. Glue the $7/8" \times 3/8" \times 1/16"$ balsa reinforcements (parts not marked) to the inside of the float top.

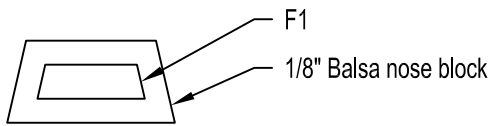


5. Glue the bottom sheeting together using thick CA.

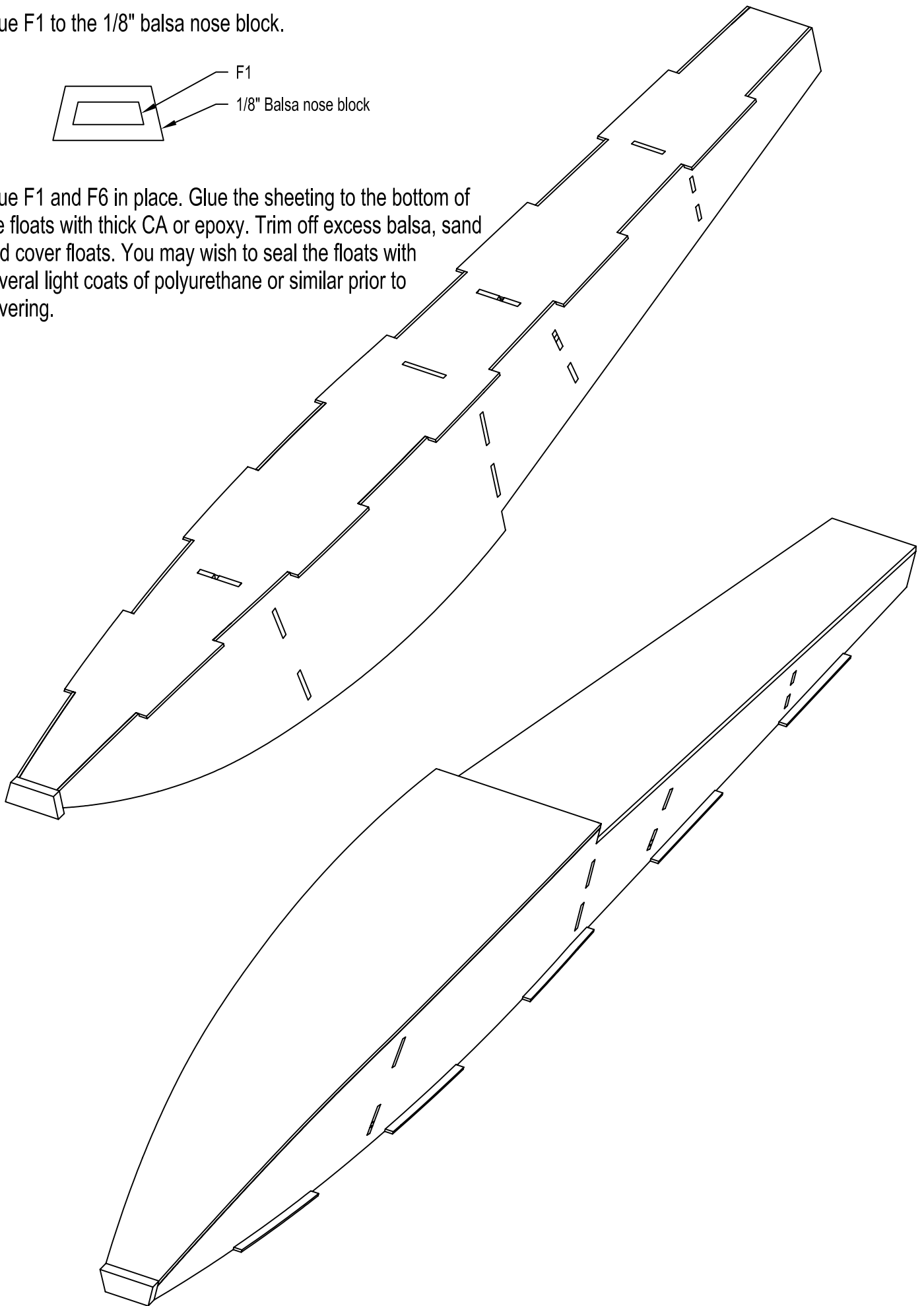
Trim off excess after parts are glued together



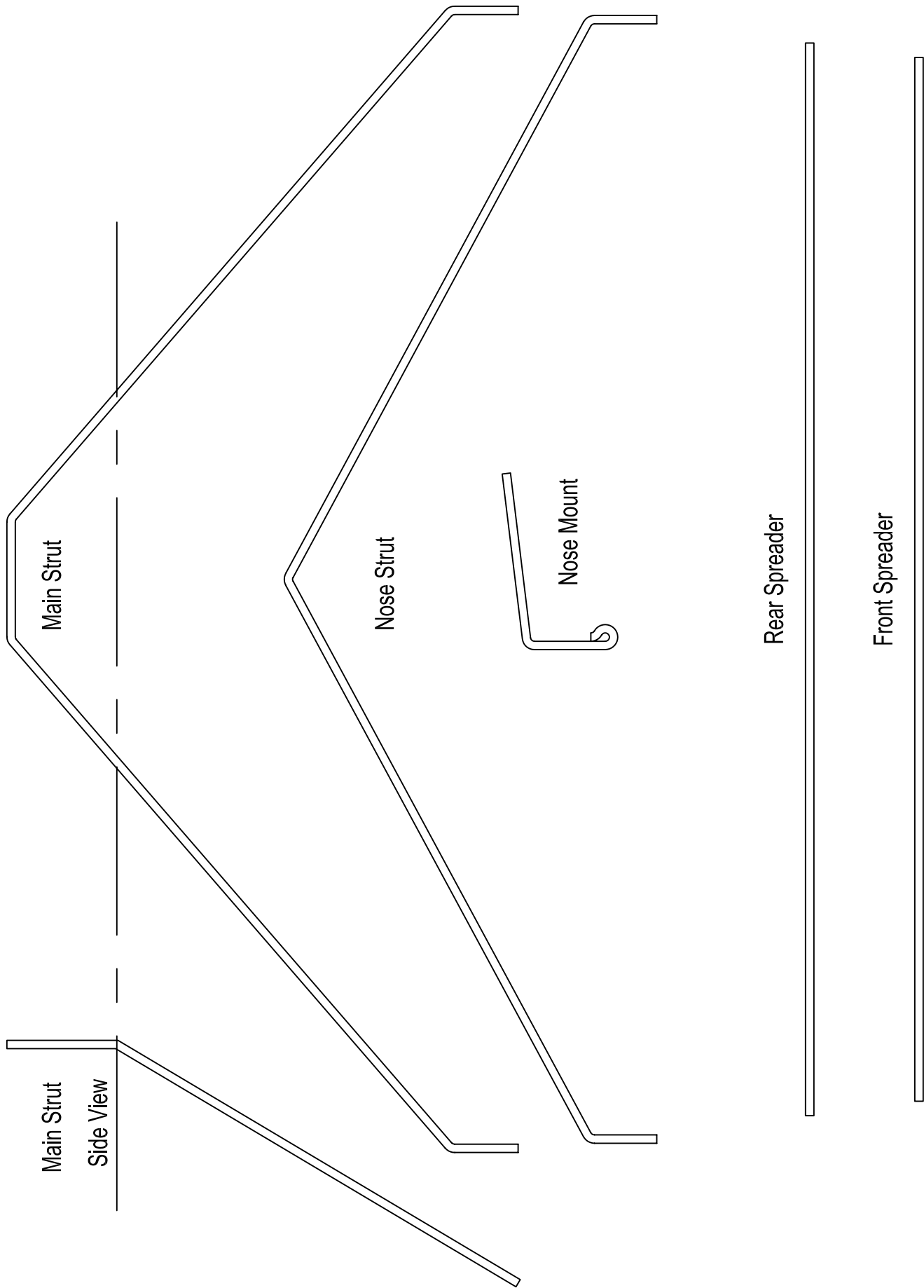
6. Glue F1 to the 1/8" balsa nose block.



7. Glue F1 and F6 in place. Glue the sheeting to the bottom of the floats with thick CA or epoxy. Trim off excess balsa, sand and cover floats. You may wish to seal the floats with several light coats of polyurethane or similar prior to covering.



8. Float strut wire bending templates.

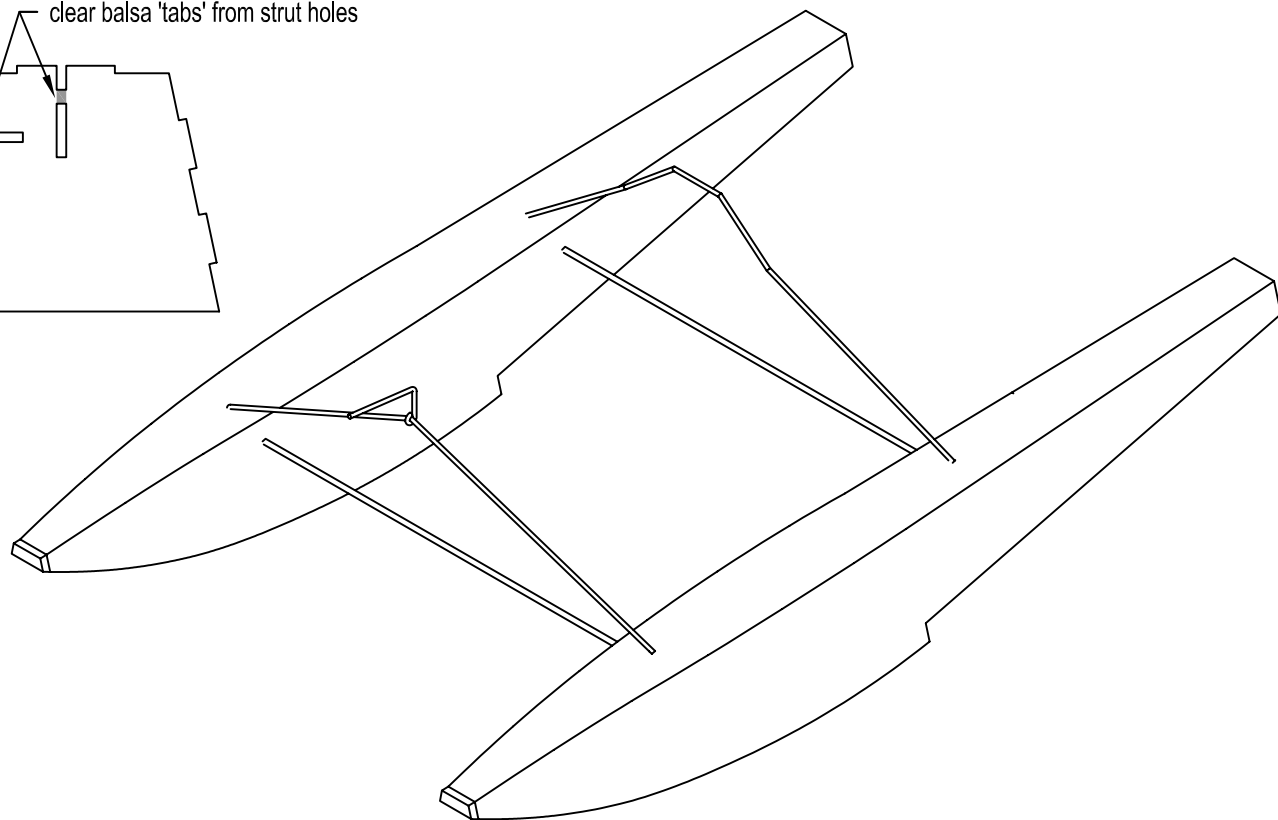
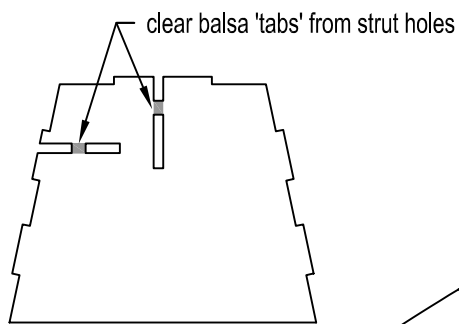


9. Use a use a 1/16" drill bit and pin vise to clear the strut holes in formers F2 and F4.

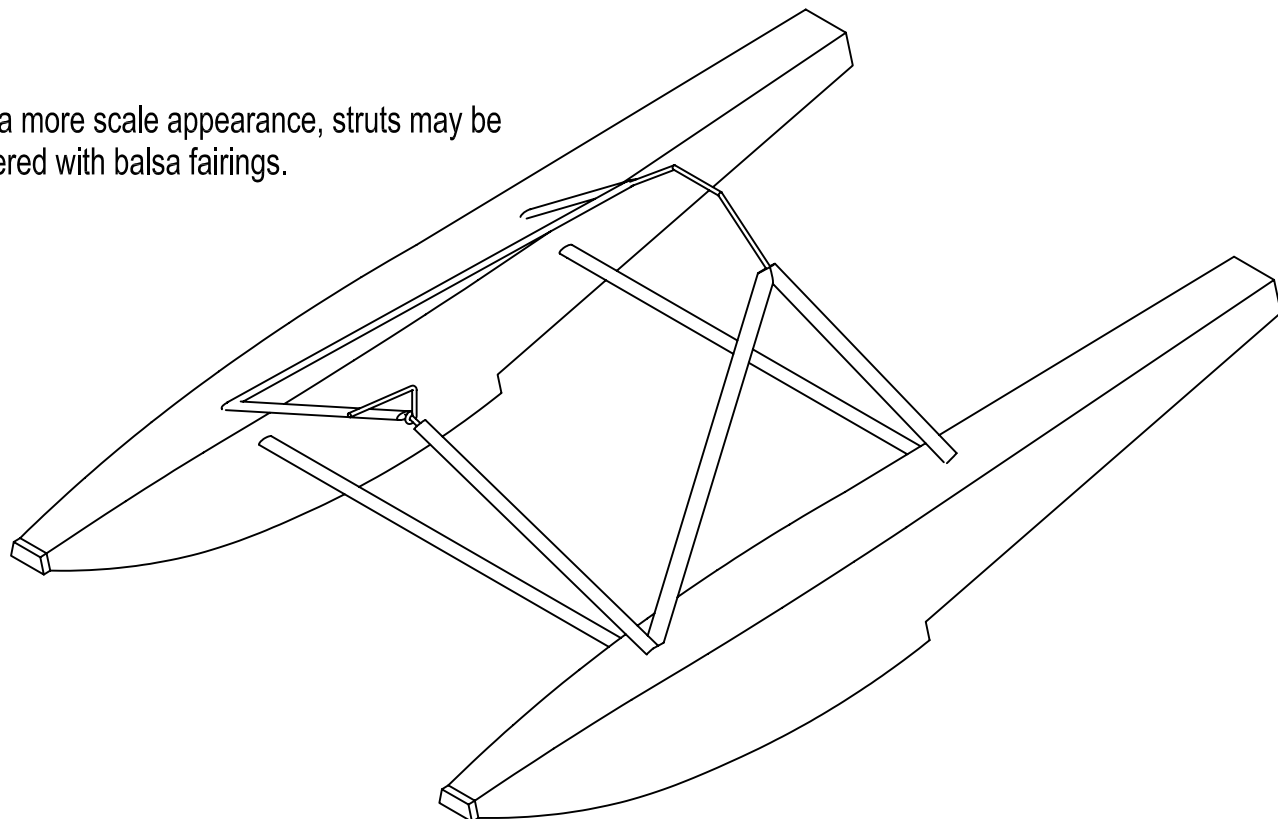
**** ONLY DRILL DEEP ENOUGH TO CLEAR 'TAB' FROM THE STRUT HOLES****

Lay the floats upside down on a flat surface and glue spreaders to floats using epoxy, set aside to dry.

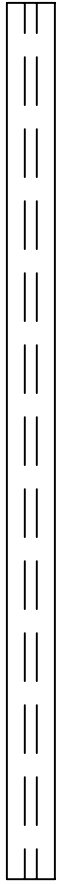
Slip nose mount onto nose strut and glue nose strut and main strut to floats using epoxy.



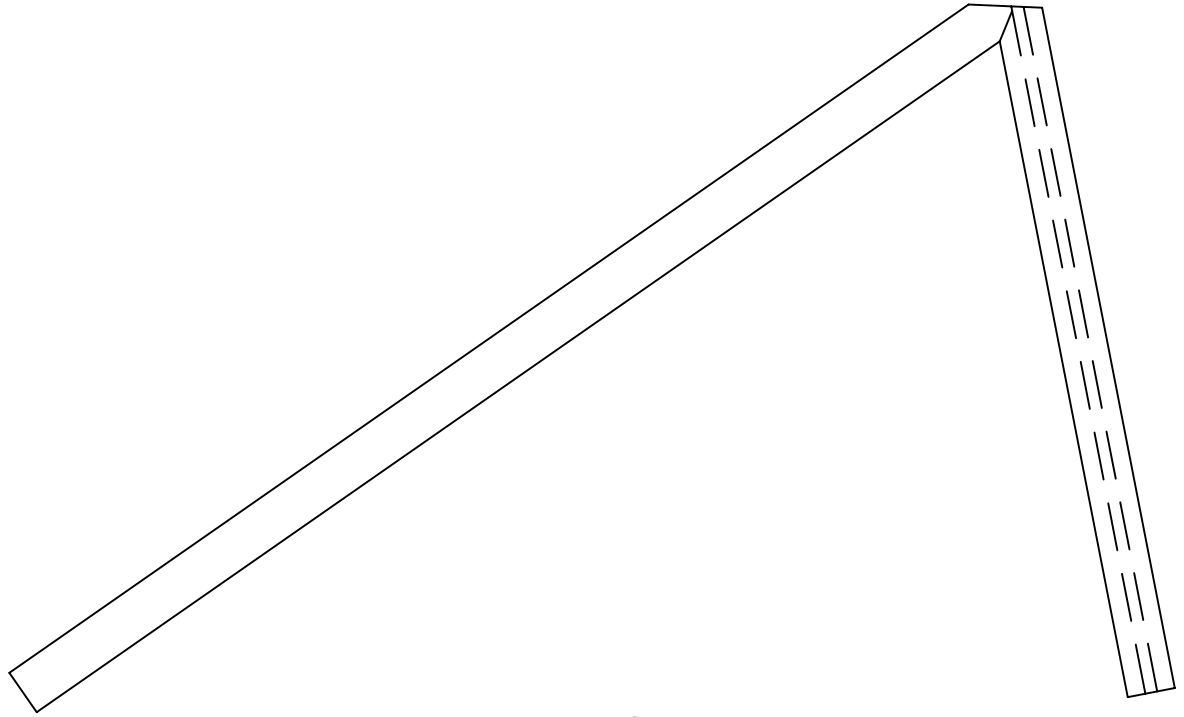
10. For a more scale appearance, struts may be covered with balsa fairings.



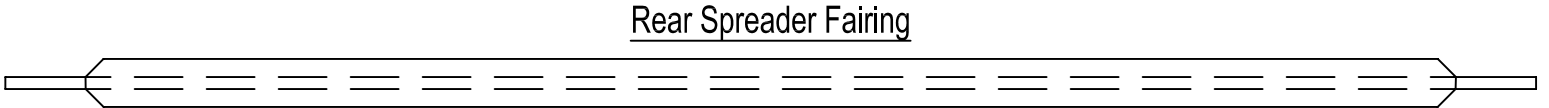
11. Strut fairing templates



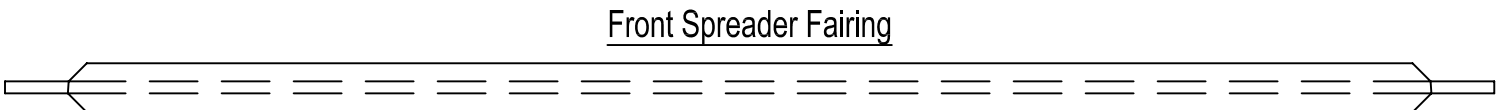
Nose Strut Fairing



Main Strut Fairing



Rear Spreader Fairing



Front Spreader Fairing